



## SPECIFICATION

**P/N: LC-Z5A-CI01**

Preliminary

光圓科技股份有限公司

LED CIRCLE Technology Corporation

新竹市竹光路 8 號 14 樓之 8

14F-8, No. 8, Zhu-Guang Rd., HsinChu City, Taiwan

WEB: [www.ledcircle.com](http://www.ledcircle.com) E-Mail: [zeno@ledcircle.com](mailto:zeno@ledcircle.com) TEL: +886-3-540-2430



Examples: Diameter =20.0mm (Standard product)



## Description

The LC-Z5A-CI01 is a modular LED Star of 1W/3W/5W (Luxeon) high power LED. This product line provides simple and compact solution for traditional lighting in different size fitted into existing fixture. With special aluminium/copper base PCB structure, the LED have stable light output and lifetime while the heat is efficiently managed. *The size, LEDs, colour pattern and Star layout is open for being customized to meet the requirement of the customer.*

## Features

- The heat is efficiently managed at preferable working temperature.
- Small/Compact size.
- Easy for being retrofitted into existing traditional lighting fixture

## Benefits

- Have flexible configurations including Warm white, White, Red, Green, Blue, Yellow and RGB mixed and other customized configuration.
- Light weight
- Enhance the value of your products
- Provides flexibility to designers
- Support 1W, 3W and 5W LEDs.
- It is a hazard free product
- It can be integrated into existing lighting system
- Facilitates new fixture design
- Facilitates low profile fixture design
- Optimisation of the usage of the system power.

## Typical Applications

- Reading lights (Desk, Car, bus)
- Torch (Flash light)
- MR-16, MR-11, E27 and U10
- Portable (Car, bicycle, Motorcycle)
- Architectural lighting
- Garden lighting
- Marker & Orientation lights
- Reading lamps
- Cove lighting
- Cornice lighting
- Landscape lighting
- Refrigeration
- Vending machine lighting
- Wall sconces
- Under-cabinet lighting
- Spots Lights
- Signalling
- Fibre Optic systems
- Point of Sale
- Signage



Selection Guide	
Part Number	Description
LC-Z5A-CI01-1WW	1W Warm White/1 LED Star/ $\approx$ 20.0mm
LC-Z5A-CI01-3WW	3W Warm White/1 LED Star/ $\approx$ 20.0mm
LC-Z5A-CI01-5WW	5W Warm White/1 LED Star/ $\approx$ 20.0mm
LC-Z5A-CI01-1SW	1W Sun White/1 LED Star/ $\approx$ 20.0mm
LC-Z5A-CI01-3SW	3W Sun White/1 LED Star/ $\approx$ 20.0mm
LC-Z5A-CI01-5SW	5W Sun White/1 LED Star/ $\approx$ 20.0mm
LC-Z5A-CI01-1R	1W Red/1 LED Star/ $\approx$ 20.0mm
LC-Z5A-CI01-3R	3W Red/1 LED Star/ $\approx$ 20.0mm
LC-Z5A-CI01-5R	5W Red/1 LED Star/ $\approx$ 20.0mm
LC-Z5A-CI01-1G	1W Green/1 LED Star/ $\approx$ 20.0mm
LC-Z5A-CI01-3G	3W Green/1 LED Star/ $\approx$ 20.0mm
LC-Z5A-CI01-5G	5W Green/1 LED Star/ $\approx$ 20.0mm
LC-Z5A-CI01-1B	1W Blue/1 LED Star/ $\approx$ 20.0mm
LC-Z5A-CI01-3B	3W Blue/1 LED Star/ $\approx$ 20.0mm
LC-Z5A-CI01-5B	5W Blue/1 LED Star/ $\approx$ 20.0mm
LC-Z5A-CI01-1Y	1W Yellow/1 LED Star/ $\approx$ 20.0mm
LC-Z5A-CI01-3Y	3W Yellow/1 LED Star/ $\approx$ 20.0mm
LC-Z5A-CI01-5Y	5W Yellow/1 LED Star/ $\approx$ 20.0mm

LC-Z5A-CI01-1M	1W RGB/1 LED Star/ $\approx$ 20.0mm
LC-Z5A-CI01-3M	3W RGB/1 LED Star/ $\approx$ 20.0mm
LC-Z5A-CI01-5M	5W RGB/1 LED Star/ $\approx$ 20.0mm
LC-Z5A-CI01-1XX	1W Customized/1 LED Star/ $\approx$ 20.0mm
LC-Z5A-CI01-3XX	3W Customized/1 LED Star/ $\approx$ 20.0mm
LC-Z5A-CI01-5XX	5W Customized/1 LED Star/ $\approx$ 20.0mm

Note: The XX is the project code of the customized products.

### Suggested CCD (Alva-LED Driver)

<http://www.ledcircle.com/index.files/Page572.htm>

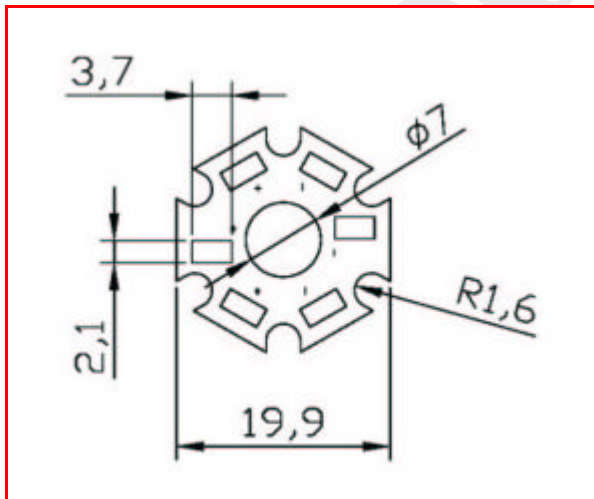
Star	Input	85-264 VAC	3VAC	5VDC	12VDC
1W LED Star		AH350	ADL350A	DL350A or DL350-08	DL350 -08
3W LED Star		AH700	-	DL700-08	
5W LED Star		AH700	-	DL700-08	

### Environmental Ratings

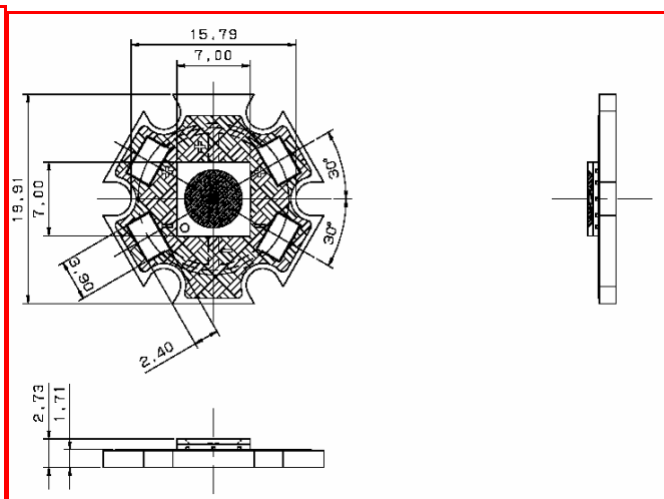
Parameter	Min	Max
Operating Ambient Temperature	-10	60
Storage Ambient Temperature	-20	80

### Drawing and Diagram (Diameter $\approx$ 20.0mm)

#1:



#2:





# LED Circle Technology Corporation

Web: [www.ledcircle.com](http://www.ledcircle.com)

E-mail: [zeno@ledcircle.com](mailto:zeno@ledcircle.com)

Tel: +886-3-540-2430

**Important:** Please contact our engineer to ensure installation and maintenance being properly executed to obtain maximum performance, efficiency and durability from the LED lighting product.

**Disclaimer:** While every care has been taken with the details on this specification sheet, we accept no responsibility for any inaccuracies and reserve the right to change these specifications without notice to always ensure that you are receiving a superior product.

光圓科技股份有限公司

LED CIRCLE Technology Corporation

新竹市竹光路 8 號 14 樓之 8

14F-8, No. 8, Zhu-Guang Rd., HsinChu City, Taiwan

WEB: [www.ledcircle.com](http://www.ledcircle.com) E-Mail: [zeno@ledcircle.com](mailto:zeno@ledcircle.com) TEL: +886-3-540-2430

Preliminary