



## SPECIFICATION

**P/N: LC-Z5A-CI07**

Preliminary

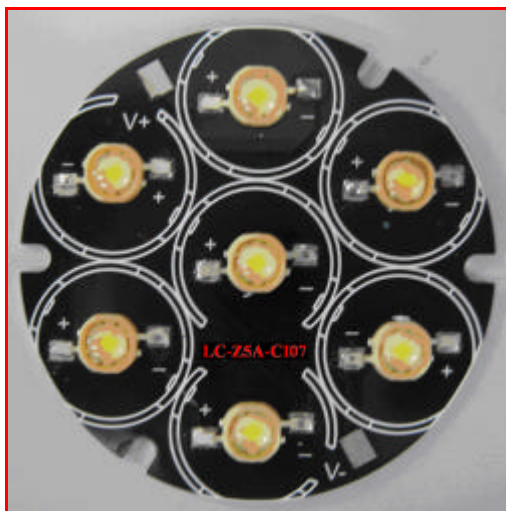
光圓科技股份有限公司

LED CIRCLE Technology Corporation

新竹市竹光路 8 號 14 樓之 8

14F-8, No. 8, Zhu-Guang Rd., HsinChu City, Taiwan

WEB: [www.ledcircle.com](http://www.ledcircle.com) E-Mail: [zeno@ledcircle.com](mailto:zeno@ledcircle.com) TEL: +886-3-540-2430



Examples: Diameter =62.5mm (Standard product)



## Description

The LC-Z5A-C107 is a modular LEDs Array of 1W/3W/5W (Luxeon) high power LEDs. This product line provides simple and compact solution for traditional lighting in different size fitted into existing fixture. With special aluminium/copper base PCB structure, the LEDs have stable light output and lifetime while the heat is efficiently managed. *The size, LEDs, colour pattern and array layout is open for being customized to meet the requirement of the customer.*

## Features

- The heat is efficiently managed at preferable working temperature.
- Small/Compact size.
- Easy for being retrofitted into existing traditional lighting fixture

## Benefits

- Have flexible configurations including Warm white, White, Red, Green, Blue, Yellow and RGB mixed and other customized configuration.
- Light weight
- Enhance the value of your products
- Provides flexibility to designers
- Support 1W, 3W and 5W LEDs.
- It is a hazard free product
- It can be integrated into existing lighting system
- Facilitates new fixture design
- Facilitates low profile fixture design
- Optimisation of the usage of the system power.

## Typical Applications

- Reading lights (Desk, Car, bus)
- Torch (Flash light)
- MR-16
- Portable (Car, bicycle, Motorcycle)
- Architectural lighting
- Garden lighting
- Marker & Orientation lights
- Reading lamps
- Cove lighting
- Cornice lighting
- Landscape lighting
- Refrigeration
- Vending machine lighting
- Wall sconces
- Under-cabinet lighting
- Spots Lights
- Signalling
- Fibre Optic systems
- Point of Sale
- Signage



# LED Circle Technology Corporation

Web: [www.ledcircle.com](http://www.ledcircle.com)

E-mail: [zeno@ledcircle.com](mailto:zeno@ledcircle.com)

Tel: +886-3-540-2430

| Selection Guide |   |
|-----------------|---|
| Part Number     | Description                               |
| LC-Z5A-CI07-1WW | 1W Warm White/7 LEDs Array/ $\phi$ 62.5mm |
| LC-Z5A-CI07-3WW | 3W Warm White/7 LEDs Array/ $\phi$ 62.5mm |
| LC-Z5A-CI07-5WW | 5W Warm White/7 LEDs Array/ $\phi$ 62.5mm |
| LC-Z5A-CI07-1SW | 1W Sun White/7 LEDs Array/ $\phi$ 62.5mm  |
| LC-Z5A-CI07-3SW | 3W Sun White/7 LEDs Array/ $\phi$ 62.5mm  |
| LC-Z5A-CI07-5SW | 5W Sun White/7 LEDs Array/ $\phi$ 62.5mm  |
| LC-Z5A-CI07-1R  | 1W Red/7 LEDs Array/ $\phi$ 62.5mm        |
| LC-Z5A-CI07-3R  | 3W Red/7 LEDs Array/ $\phi$ 62.5mm        |
| LC-Z5A-CI07-5R  | 5W Red/7 LEDs Array/ $\phi$ 62.5mm        |
| LC-Z5A-CI07-1G  | 1W Green/7 LEDs Array/ $\phi$ 62.5mm      |
| LC-Z5A-CI07-3G  | 3W Green/7 LEDs Array/ $\phi$ 62.5mm      |
| LC-Z5A-CI07-5G  | 5W Green/7 LEDs Array/ $\phi$ 62.5mm      |
| LC-Z5A-CI07-1B  | 1W Blue/7 LEDs Array/ $\phi$ 62.5mm       |
| LC-Z5A-CI07-3B  | 3W Blue/7 LEDs Array/ $\phi$ 62.5mm       |
| LC-Z5A-CI07-5B  | 5W Blue/7 LEDs Array/ $\phi$ 62.5mm       |
| LC-Z5A-CI07-1Y  | 1W Yellow/7 LEDs Array/ $\phi$ 62.5mm     |
| LC-Z5A-CI07-3Y  | 3W Yellow/7 LEDs Array/ $\phi$ 62.5mm     |
| LC-Z5A-CI07-5Y  | 5W Yellow/7 LEDs Array/ $\phi$ 62.5mm     |

|                 |   |
|-----------------|---|
| LC-Z5A-CI07-1M  | 1W RGB/7 LEDs Array/ $\phi$ 62.5mm        |
| LC-Z5A-CI07-3M  | 3W RGB/7 LEDs Array/ $\phi$ 62.5mm        |
| LC-Z5A-CI07-5M  | 5W RGB/7 LEDs Array/ $\phi$ 62.5mm        |
| LC-Z5A-CI07-1XX | 1W Customized/7 LEDs Array/ $\phi$ 62.5mm |
| LC-Z5A-CI07-3XX | 3W Customized/7 LEDs Array/ $\phi$ 62.5mm |
| LC-Z5A-CI07-5XX | 5W Customized/7 LEDs Array/ $\phi$ 62.5mm |

Note: The XX is the project code of the customized products.

## Suggested CCD (Alva-LED Driver)

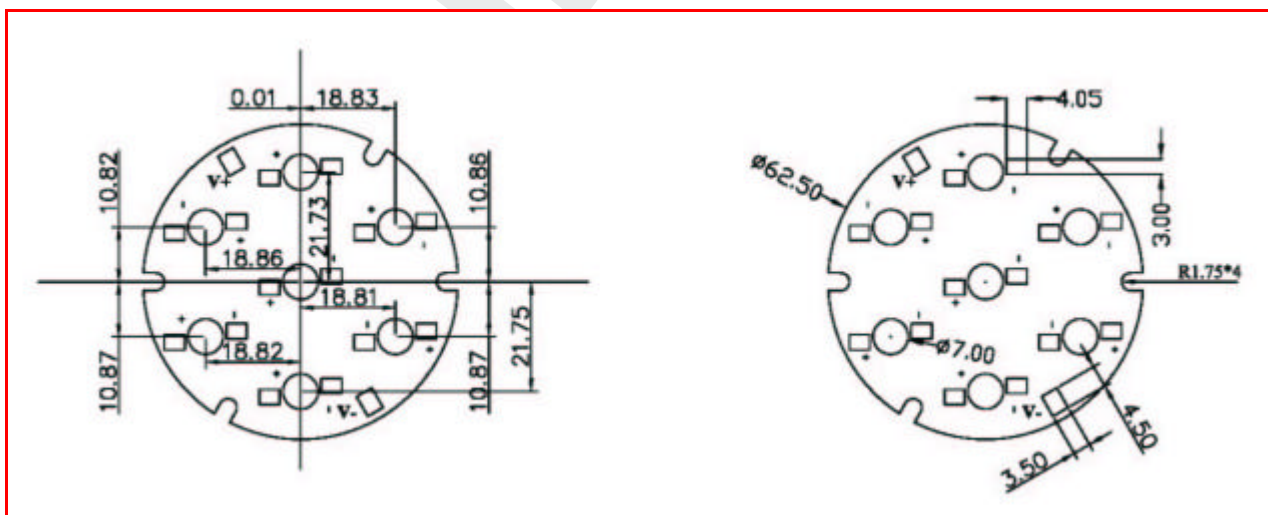
<http://www.ledcircle.com/index.files/Page572.htm>

| Array         | Input | 85-265 VAC | 24VAC | 24-26VDC              |
|---------------|-------|------------|-------|-----------------------|
| 1W LEDs Array |       | AH350      |       | DL350A or<br>DL350-08 |
| 3W LEDs Array |       | AH700      | -     | DL700-08              |
| 5W LEDs Array |       | AH700      | -     | DL700-08              |

## Environmental Ratings

| Parameter                     | Min | Max |
|-------------------------------|-----|-----|
| Operating Ambient Temperature | -10 | 60  |
| Storage Ambient Temperature   | -20 | 80  |

## Drawing and Diagram (Diameter $\phi$ 62.5mm)





# LED Circle Technology Corporation

Web: [www.ledcircle.com](http://www.ledcircle.com)

E-mail: [zeno@ledcircle.com](mailto:zeno@ledcircle.com)

Tel: +886-3-540-2430

**Important:** Please contact our engineer to ensure installation and maintenance being properly executed to obtain maximum performance, efficiency and durability from the LED lighting product.

**Disclaimer:** While every care has been taken with the details on this specification sheet, we accept no responsibility for any inaccuracies and reserve the right to change these specifications without notice to always ensure that you are receiving a superior product.

光圓科技股份有限公司

LED CIRCLE Technology Corporation

新竹市竹光路 8 號 14 樓之 8

14F-8, No. 8, Zhu-Guang Rd., HsinChu City, Taiwan

WEB: [www.ledcircle.com](http://www.ledcircle.com) E-Mail: [zeno@ledcircle.com](mailto:zeno@ledcircle.com) TEL: +886-3-540-2430

Preliminary