



SPECIFICATION

P/N: LCT-Z5A-CI01

Preliminary

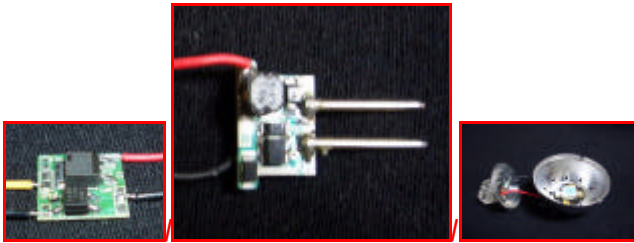
光圓科技股份有限公司

LED CIRCLE Technology Corporation

新竹市竹光路 8 號 14 樓之 8

14F-8, No. 8, Zhu-Guang Rd., HsinChu City, Taiwan

WEB: www.ledcircle.com E-Mail: zeno@ledcircle.com TEL: +886-3-540-2430



+



Examples: Diameter =20.0mm (Standard product)



Description

The LCT-Z5A-CI01 is a Talent LED Module. It is integrated by modular LED star of 1W/3W/5W (Luxeon) high power LED and ALVA CCD power supply. This product line provides simple and compact solution for traditional lighting in different size fitted into existing fixture. *The size including LED PCB and CCD power supply, the LED, the colour pattern, the star layout and the CCD driver layout are opened for being customized to meet the requirement of the existing fixture.*

Features

- The heat is efficiently managed at preferable working temperature.
- Small/Compact size.
- Easy for being retrofitted into existing traditional lighting fixture

Benefits

- Have flexible configurations including Warm white, White, Red, Green, Blue, Yellow and RGB mixed and other customized configuration.
- Light weight
- Enhance the value of your products
- Provides flexibility to designers
- Support 1W, 3W and 5W LED.
- It is a hazard free product
- It can be integrated into existing lighting system
- Facilitates new fixture design
- Facilitates low profile fixture design
- Optimisation of the usage of the system power.

Typical Applications

- MR-16, MR-11, E27 and U10
- Architectural lighting
- Garden lighting
- Marker & Orientation lights
- Reading lamps
- Cove lighting
- Landscape lighting
- Refrigeration
- Vending machine lighting
- Wall sconces
- Under-cabinet lighting
- Spots Lights
- Signalling
- Point of Sale



LED Circle Technology Corporation

Web: www.ledcircle.com

E-mail: zeno@ledcircle.com

Tel: +886-3-540-2430

Selection Guide

Part Number	Description
LCT-Z5A-CI01-1WW035	1W warm White/1 LED Star/350mA
LCT-Z5A-CI01-3WW070	3W warm White/1 LED Star/700mA
LCT-Z5A-CI01-5WW70	5W warm White/1 LED Star/700mA
LCT-Z5A-CI01-1SW035	1W Sun White/1 LED Star/350mA
LCT-Z5A-CI01-3SW070	3W Sun White/1 LED Star/700mA
LCT-Z5A-CI01-5SW070	5W Sun White/1 LED Star/700mA
LCT-Z5A-CI01-1R035	1W Red/1 LED Star/350mA
LCT-Z5A-CI01-3R070	3W Red/1 LED Star/700mA
LCT-Z5A-CI01-5R070	5W Red/1 LED Star/700mA
LCT-Z5A-CI01-1G035	1W Green/1 LED Star/350mA
LCT-Z5A-CI01-3G070	3W Green/1 LED Star/700mA
LCT-Z5A-CI01-5G070	5W Green/1 LED Star/700mA
LCT-Z5A-CI01-1B035	1W Blue/1 LED Star/350mA
LCT-Z5A-CI01-3B070	3W Blue/1 LED Star/700mA
LCT-Z5A-CI01-5B070	5W Blue/1 LED Star/700mA
LCT-Z5A-CI01-1Y035	1W Yellow/1 LED Star/350mA
LCT-Z5A-CI01-3Y070	3W Yellow/1 LED Star/700mA
LCT-Z5A-CI01-5Y070	5W Yellow/1 LED Star/700mA

LCT-Z5A-CI01-1M035	1W RGB/1 LED Star/350mA
LCT-Z5A-CI01-3M070	3W RGB/1 LED Star/700mA
LCT-Z5A-CI01-5M070	5W RGB/1 LED Star/700mA
LCT-Z5A-CI01-1XXXX	1W Customized/1 LED Star/350mA
LCT-Z5A-CI01-3XXXX	3W Customized/1 LED Star/700mA
LCT-Z5A-CI01-5XXXX	5W Customized/1 LED Star/700mA

Note: The XXXX is the project code of the customized products.

Electrical characteristics

Input

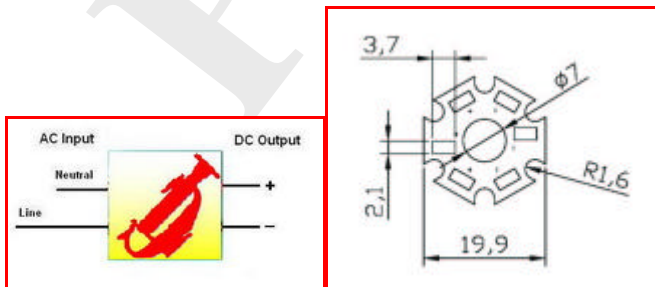
Parameter	Min	Max
Input Voltage Range	12/24Vac/Vdc-5%	12/24Vac/Vdc+5%
Input Frequency	47Hz	63Hz
Input Current	N/A	N/A
Efficiency	Typical 80%-85%	

Environmental Ratings

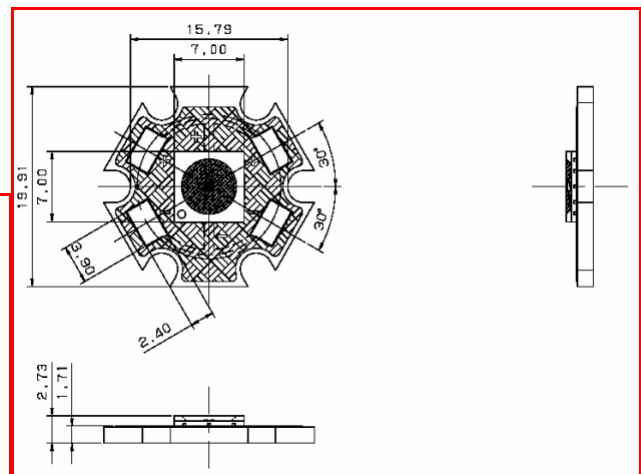
Parameter	Min	Max
Operating Ambient Temperature	-10	60
Storage Ambient Temperature	-20	80

Drawing and Diagram

1. Alva CCD LED Driver. (15mm (L) x 15mm(W))



2. LED Module. (=20mm)





LED Circle Technology Corporation

Web: www.ledcircle.com

E-mail: zeno@ledcircle.com

Tel: +886-3-540-2430

Important: Please contact our engineer to ensure installation and maintenance being properly executed to obtain maximum performance, efficiency and durability from the LED lighting product.

Disclaimer: While every care has been taken with the details on this specification sheet, we accept no responsibility for any inaccuracies and reserve the right to change these specifications without notice to always ensure that you are receiving a superior product.

光圓科技股份有限公司

LED CIRCLE Technology Corporation

新竹市竹光路 8 號 14 樓之 8

14F-8, No. 8, Zhu-Guang Rd., HsinChu City, Taiwan

WEB: www.ledcircle.com E-Mail: zeno@ledcircle.com TEL: +886-3-540-2430

Preliminary