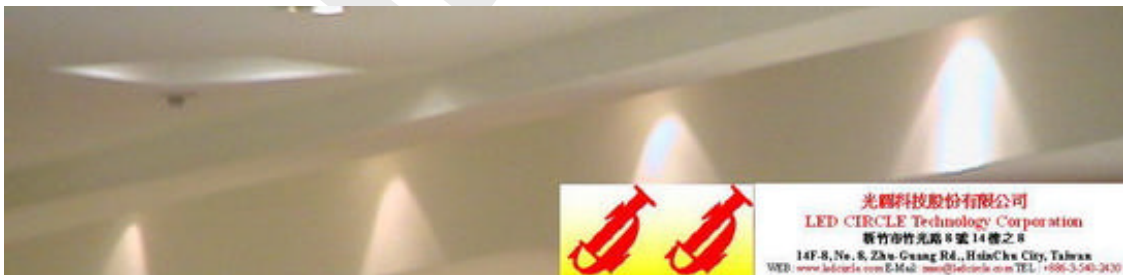




SPECIFICATION



P/N: LCP-MR16-5XW-70-B



光圓科技股份有限公司

新竹市金山六街 55 號 1 樓 (新竹第二辦公室)

LED CIRCLE Technology Corporation

1F, No. 55, Jin-Shan 6th St., Hsin-Chu City 300, Taiwan, R.O.C. (Hsin-Chu 2nd Office)

TEL: +886-3-567-9283 Fax: +886-3-567-8764 Web : www.ledcircle.com; Email: philips@ledcircle.com

高品質的 LED 照明產品就在光圓科技===== LC provides high quality LED Lighting products



5W MR16 LED LIGHT SPECIFICATION **Special LEDs Inside**

MECHANICAL SPEC

Housing	Aluminum;PC
Base type	GX5.3 Compatible base
Outer Dimension	49mm × 38mm
Housing Color	Silver
Weight	46gs

ELECTRICAL SPEC

Power Requirement	12V AC(20K~100KHz) Electrical AC Power
Power Consumption	Maximum 5W
Transformer spec	Low-Voltage Magnetic or Electronic to provide 12V AC

ENVIRONMENTAL SPEC

Operating Temperature	-20 ~ 40
Storage Temperature	-40 ~ 80
Humidity	0~90% non condensed
Body Temperature ¹	70
MTBF ²	>20,000hrs

OPTICAL SPEC

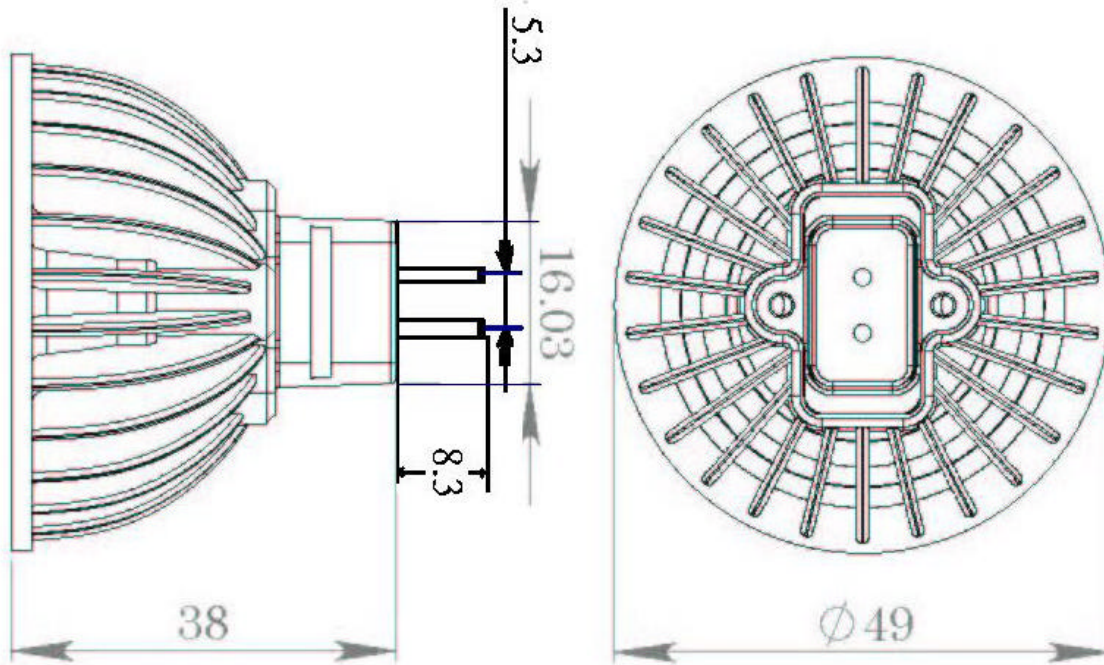
Beam Angle	Flood Light 70±3°
Color Temperature	Warm White(3000K)->P/N: LCP-MR16-5WW-70-B
And P/N	Sun White(6500K) ->P/N: LCP-MR16-5SW-70-B
CRI	>75

¹ Traditional MR16 surface temperature is higher than 130 °C.

² MTBF (Mean Time Between Failure) will effect by transformer.

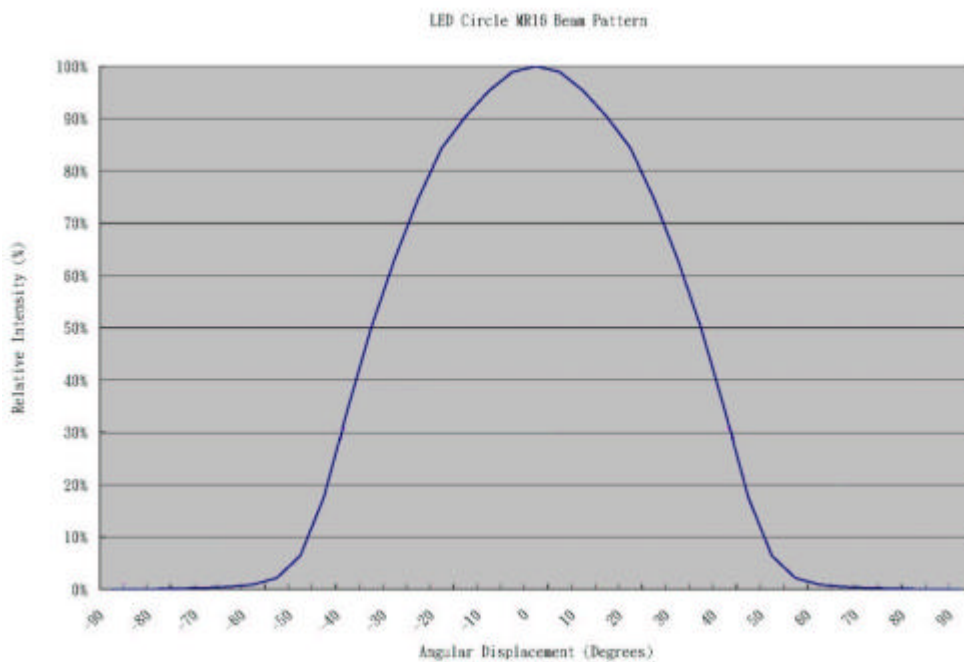


DIMENSION



OPTICAL PERFORMANCE

- (1) Beam Angle: 70 °
- (2) Luminous Flux (LED): Typ: 150lm(3000K Warm White), Typ: 180lm (6500K Sun White)





LED Circle Technology Corporation

Web: www.ledcircle.com

E-mail: philips@ledcircle.com

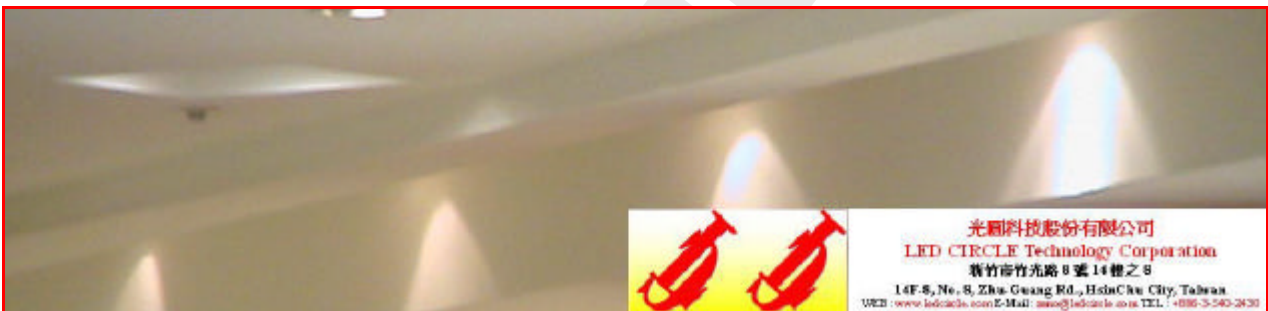
Tel: +886-3-5679283

Fax: +886-3-5678764

OUTLINE



APPLICATIONS



Important: Please contact our engineer to ensure installation and maintenance being properly executed to obtain maximum performance, efficiency and durability from the LED lighting product.

Disclaimer: While every care has been taken with the details on this specification sheet, we accept no responsibility for any inaccuracies and reserve the right to change these specifications without notice to always ensure that you are receiving a superior product.

光圓科技股份有限公司
 新竹市金山六街 55 號 1 樓 (新竹第二辦公室)
LED CIRCLE Technology Corporation
 1F, No. 55, Jin-Shan 6th St., Hsin-Chu City 300, Taiwan, R.O.C. (Hsin-Chu 2nd Office)
TEL: +886-3-567-9283 Fax: +886-3-567-8764 Web : www.ledcircle.com; Email: philips@ledcircle.com
高品質的 LED 照明產品就在光圓科技===== LC provides high quality LED Lighting products